

Features:

- Sizes 4" through 14" diameter available
- Cast aluminum housing, with a 3" overall flange width.
- Self cleaning design.
- Rated up to 50" W.G.
- Rated up to 250°F

Power Requirements:

- 115V or 24V
- 70 PSI compressed air supply

Industries:

Textiles, paper, tobacco, wood, plastics, agricultural & rubber dust applications.

Available Services:

- System Integration
- Industrial Ventilation
- Material Handling
- Power & Controls
- Manufacturing

Product Description:

ATMOS360'S On/Off Blast gates are constructed from a two piece cast aluminum body which is only 3" overall width flange to flange. Each valve has identical inlet & outlet diameters with standard angle bolt hole patterns. The gate is manufactured from 1/2" thick durable UHMW plastic for maximum strength & efficiency. The self cleaning design keeps maintenance to an absolute minimum.

Features and Benefits:

- Application: Air diverter & dust collection systems
- Sizes: 4" thru 14" (Even Sizes)
- Overall 3" width flange to flange
- Pressure: Up to 50" W.G.

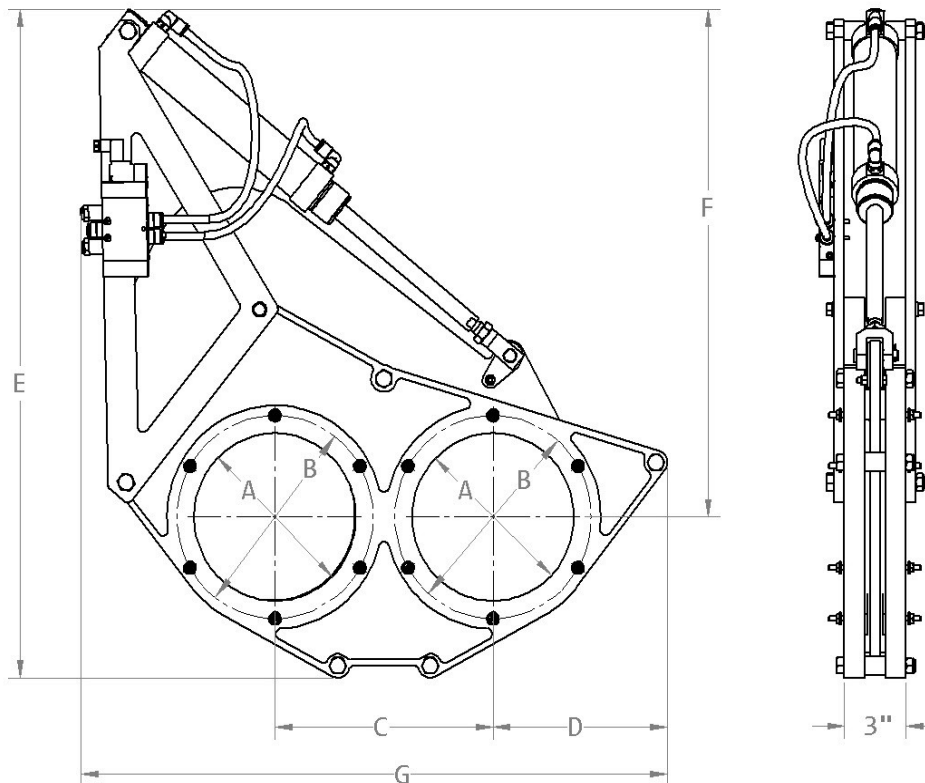


HIGH PRESSURE ALTERNATING BLAST GATE

**64 CIRCLE FREEWAY DR
CINCINNATI, OH 45246
www.atmos360.com
Phone: 513-330-5442
E-mail: info@atmos360.com**

High Pressure Alternating Blast Gate Models

MODEL	A	B	C	D	E	F	G
620210	4"	5-5/16"	6-3/16"	4-1/2"	17"	14"	21"
620170	6"	7-5/16"	8-1/4"	5"	24"	19"	25"
620130	8"	9-9/16"	10-5/8"	8-1/2"	31"	24"	29"
620139	10"	11-1/2"	13-3/8"	10"	38"	29"	33"
620230	12"	14"	15-1/4"	9-3/4"	45"	34"	37"
620240	14"	16"	17-1/4"	11"	52"	39"	41"



Replacement Parts

PART NUMBER	DESCRIPTION
620217	SEAL KIT, ALT BLAST GATE, 4"
620177	SEAL KIT, ALT BLAST GATE, 6"
620221	SEAL KIT, ALT BLAST GATE, 8"
620147	SEAL KIT, ALT BLAST GATE, 10"
620237	SEAL KIT, ALT BLAST GATE, 12"
620248	SEAL KIT, ALT BLAST GATE, 14"

ATMOS360, Inc
 64 Circle Freeway Dr
 Cincinnati, OH 45246
 Phone: (513) 330-5442