

Features:

- Stainless Steel construction and custom components allow this unit to be installed in harsh environments, up to 170°F and 80% humidity.
- This direct ceiling mounted fan rotates at approximately four times an hour and oscillates vertically one time per minute distributing high velocity air over a large area.
- This high velocity air prevents the accumulation of dust and light debris on light fixtures, ceilings, support steel, overhead structures, ducts and machinery.
- Multiple fans can be arrayed to offer coverage for an entire production area.

Industries:

Textiles, paper, tobacco, wood, plastics, agricultural & rubber dust applications.

Available Services:

- System Integration
- Industrial Ventilation
- Material Handling
- Power & Controls
- Manufacturing

Product Description:

ATMOS360'S Harsh Environment Overhead Oscillating Fan's stainless steel construction and custom components allow this unit to be installed in severe process environments, up to 170°F and 80% humidity. This fan is designed for extreme process applications that would shorten the operational life cycle of a conventional unit.

Overhead mounted fan rotates approximately four times an hour and oscillates (up & downwards) once per minute to distribute a high velocity airstream over a large area. This high velocity air helps to prevent the accumulation of dust and light debris on support steel, lighting fixtures, ductwork, piping and other overhead structures.

Features and Benefits:

- Drive and control components specifically specified for harsh environment applications.
- Direct mounting to ceiling beams and trusses.
- Effective ~40 foot radius (12m) fan range.
- Adjustable up/down oscillation range.
- Heavy duty stainless steel construction w/polypropylene fan blade.
- Available with a standard or short mounting stem for low clearance applications.
- Designed to be mounted to suitable building beams or trusses.



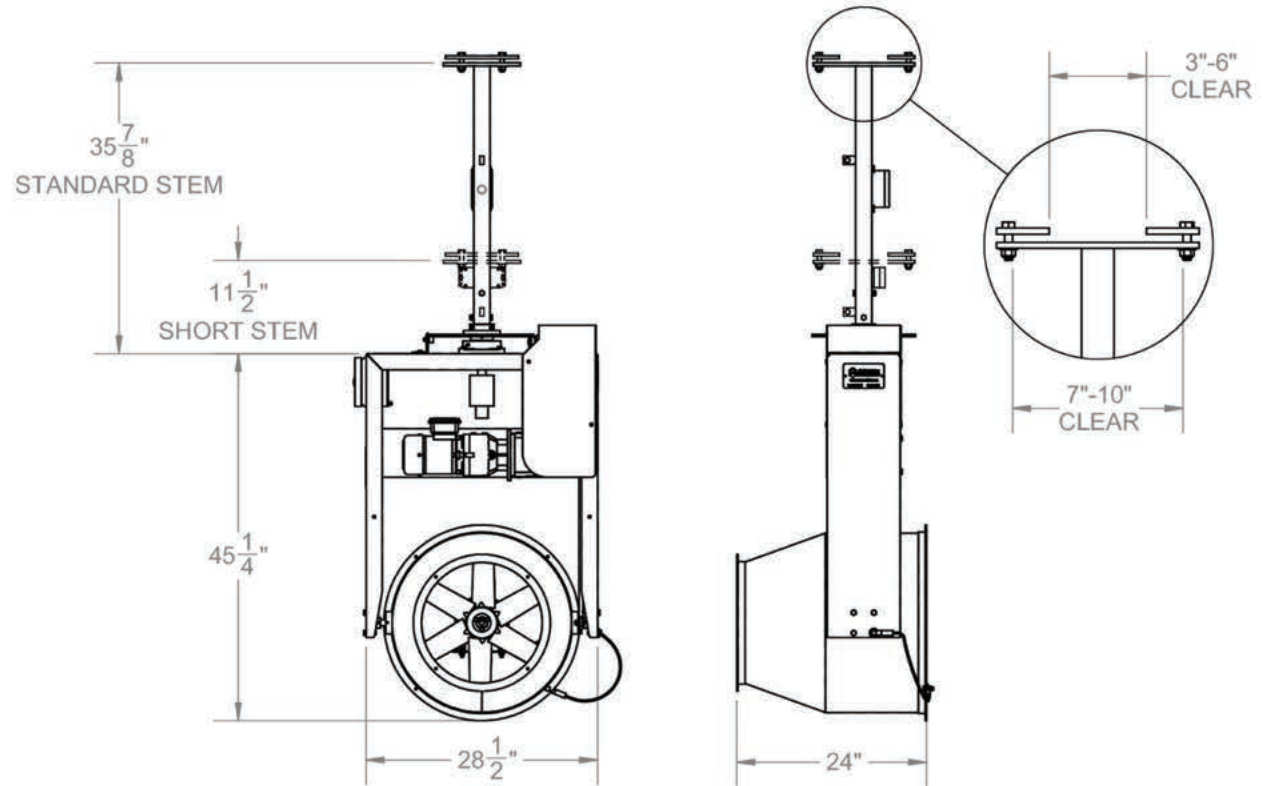
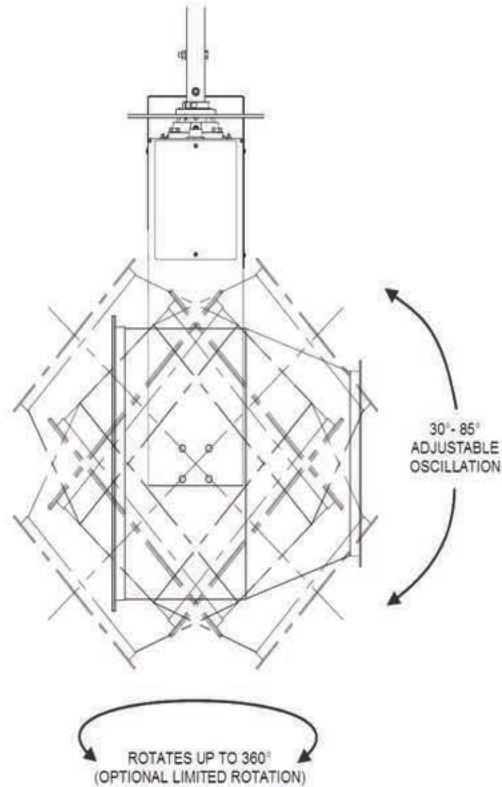
HARSH ENVIRONMENT OVERHEAD OSCILLATING FAN

ATMOS 360 Manufacturing, LLC.
4690 Interstate Drive, Suite A
Cincinnati, OH 45246
513.889.5069
ATMOS360.COM

Harsh Environment Overhead Oscillating Fan models

<u>BASE FAN VOLTAGE/MODEL</u>	<u>MODEL #</u>
480V NON-REVERSING	610300
<u>STEM MODEL</u>	<u>MODEL #</u>
STANDARD	610340
SHORT	610345

*When ordering, please specify both fan model number and stem model number required.



Replacement Parts

PART NUMBER	DESCRIPTION
906114	5/8" ID SLEEVE BEARING BRONZE
906246	GEARMOTOR, 0.16HP, 1.3RPM, 230/460V, 60HZ, 175-200 F AMB
906252	BEARING, 4-BOLT FLANT, 3/4" SHAFT, SS
906101	FAN BLADE ASSEMBLY
610308	ASSY—DRIVE RING STABILIZER, SS

ATMOS 360 Manufacturing, LLC.
 4690 Interstate Drive, Suite A
 Cincinnati, OH 45246
 513.889.5069
 ATMOS360.COM